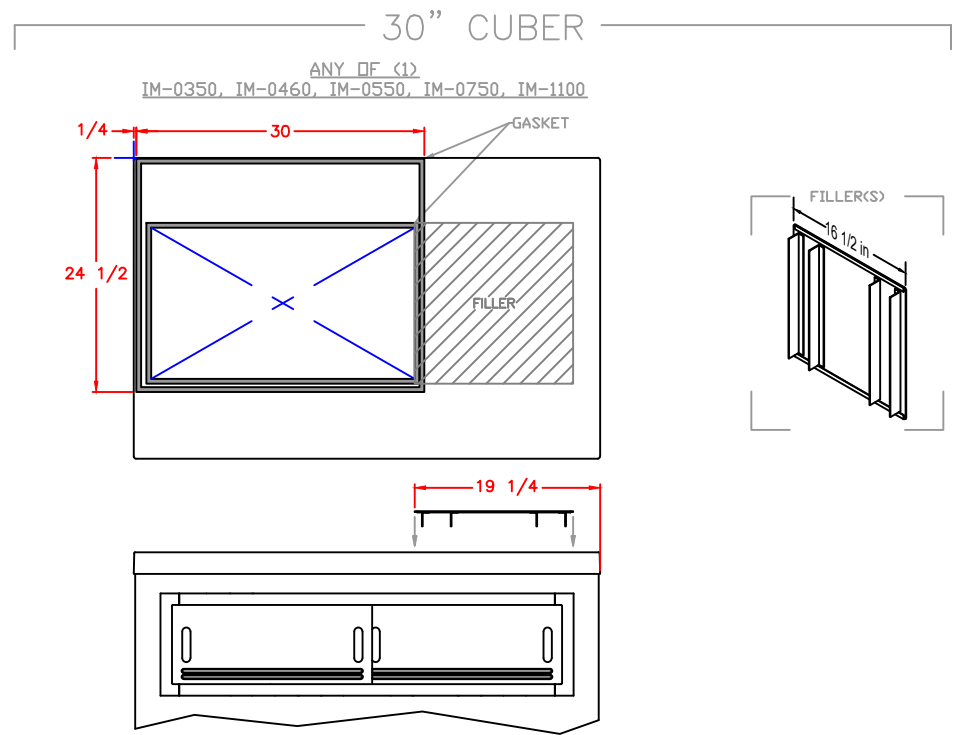
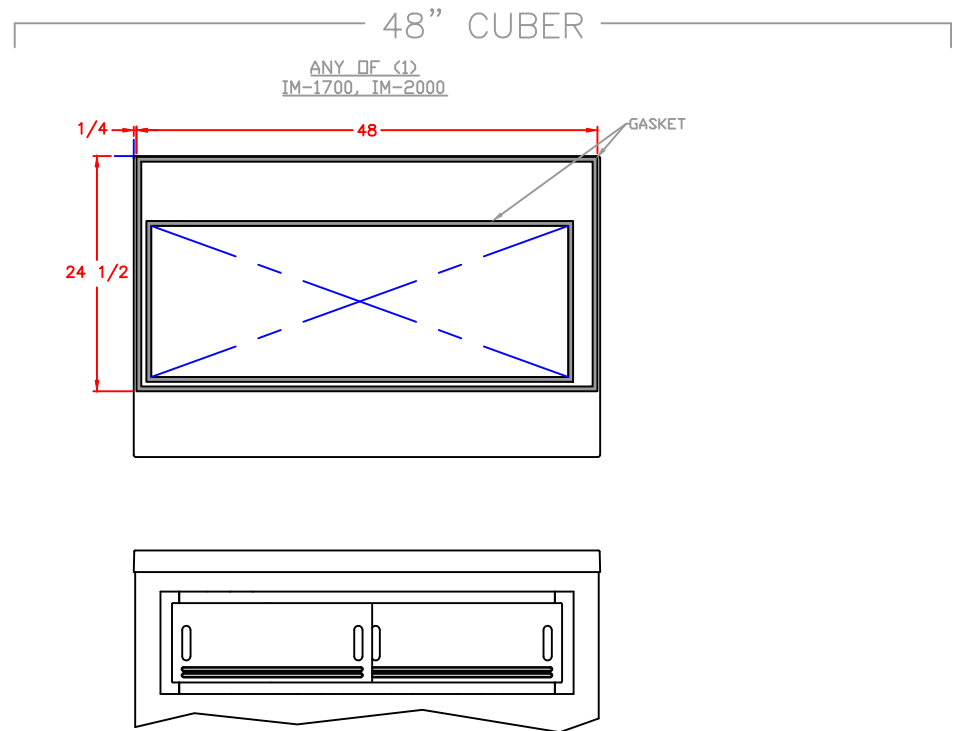


PARTS LIST AND FLEXITOP INSTRUCTIONS FOR CONFIGURATION OF LLS2593 (ICETRO FLEXITOP) BIN MODELS-SG860/SG1010/SG1175/SG1300

KIT PARTS LIST		
QUANTITY	PART NUMBER	DESCRIPTION
1	01575307	9" FILLER
1	01575315	16.5" FILLER
1	203132	SEALANT
28'-0"	207801	GASKET

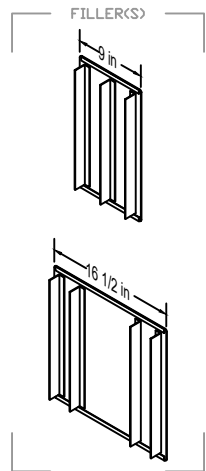
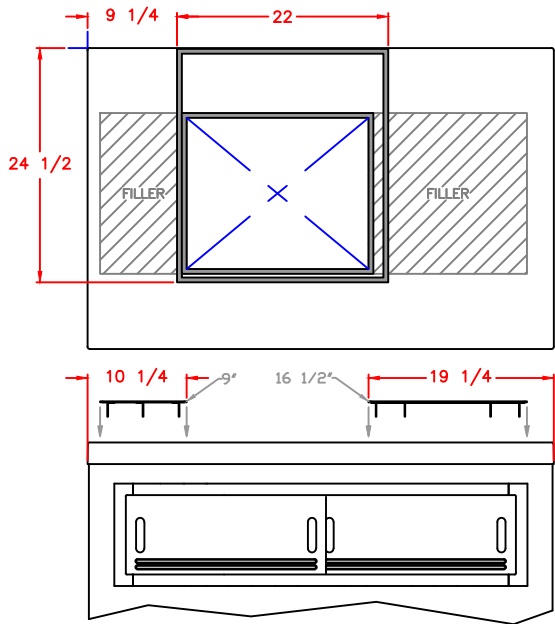
TOP CONFIGURATION INSTRUCTIONS

- 1) REMOVE ANY DUST AND DEBRIS FROM THE NON CONFIGURED TOP. ADHESION OF THE FILLER TAPE REQUIRES A CLEAN AND DRY SURFACE.
- 2) FIND THE TOP LAYOUT IN THIS INSTRUCTIONS FOR THE INTENDED ICEMAKER(S) INSTALLATION
- 3) INSTALL FILLER PANELS AS DEPICTED IN THE FRONT VIEW OF THE SELECTED LAYOUT BY REMOVING THE ADHESIVE BACKING FROM THE PRE-INSTALLED FILLER TAPE, FIRMLY PRESS INTO POSITION.
(TIP) DRY FIT THE FILLER AND MARK ITS LOCATION WITH A PENCIL OR DRY ERASE MARKER TO IMPROVE PLACEMENT
- 4) APPLY THE INCLUDED ADHESIVE BACKED GASKET TO THE EDGE OF THE TOP OPENING(S) AND THE ICEMAKER PERIMETER(S) PER LAYOUT DIMENSION
- 5) APPLY A BEAD OF THE INCLUDED SILICONE SEALANT TO THE INNER EDGE OF THE OPENING BETWEEN THE GASKET AND EDGE
- 6) WITH THE TOP NOW CONFIGURED FOLLOW ICEMAKER MANUFACTURES RECOMMENDED INSTALLATION ALIGNING ICE DROP AREA WITH THE CREATED TOP OPENING.
- 7) DISCARD UNUSED FILLER

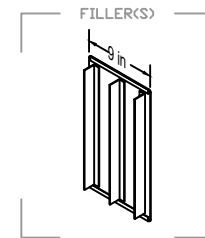
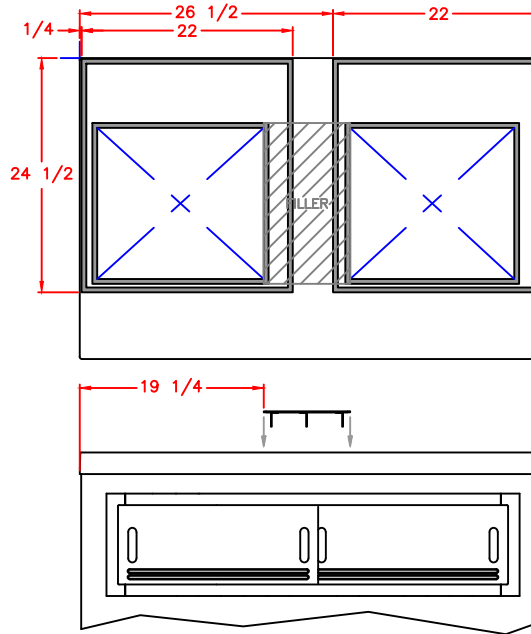


22" CUBERS

ANY OF (1)
IM-0350-22, IM-0460-22, IM-0550-22

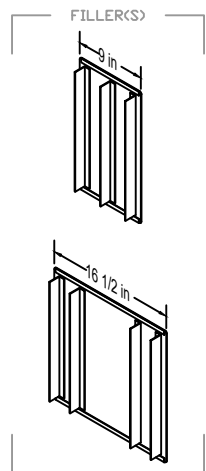
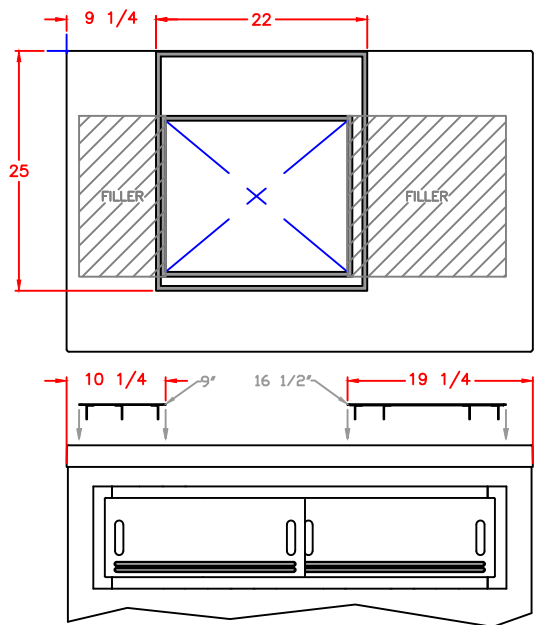


ANY COMBINATION OF (2)
IM-0350-22, IM-0460-22, IM-0550-22



22" NUGGET/ FLAKER

ANY OF (1)
IM-0770AF, IM-0770RF



ANY OF (2)
IM-0770AF OR IM-0770RF

